

R47 and R48 must be high quality Vishay Resistor (0.05ppm/°C)

C32 is used to keep stability of the amplifier

gain diff pair : $Gpd = gm * (R47 * R4 / (2 * R47 + R4))$

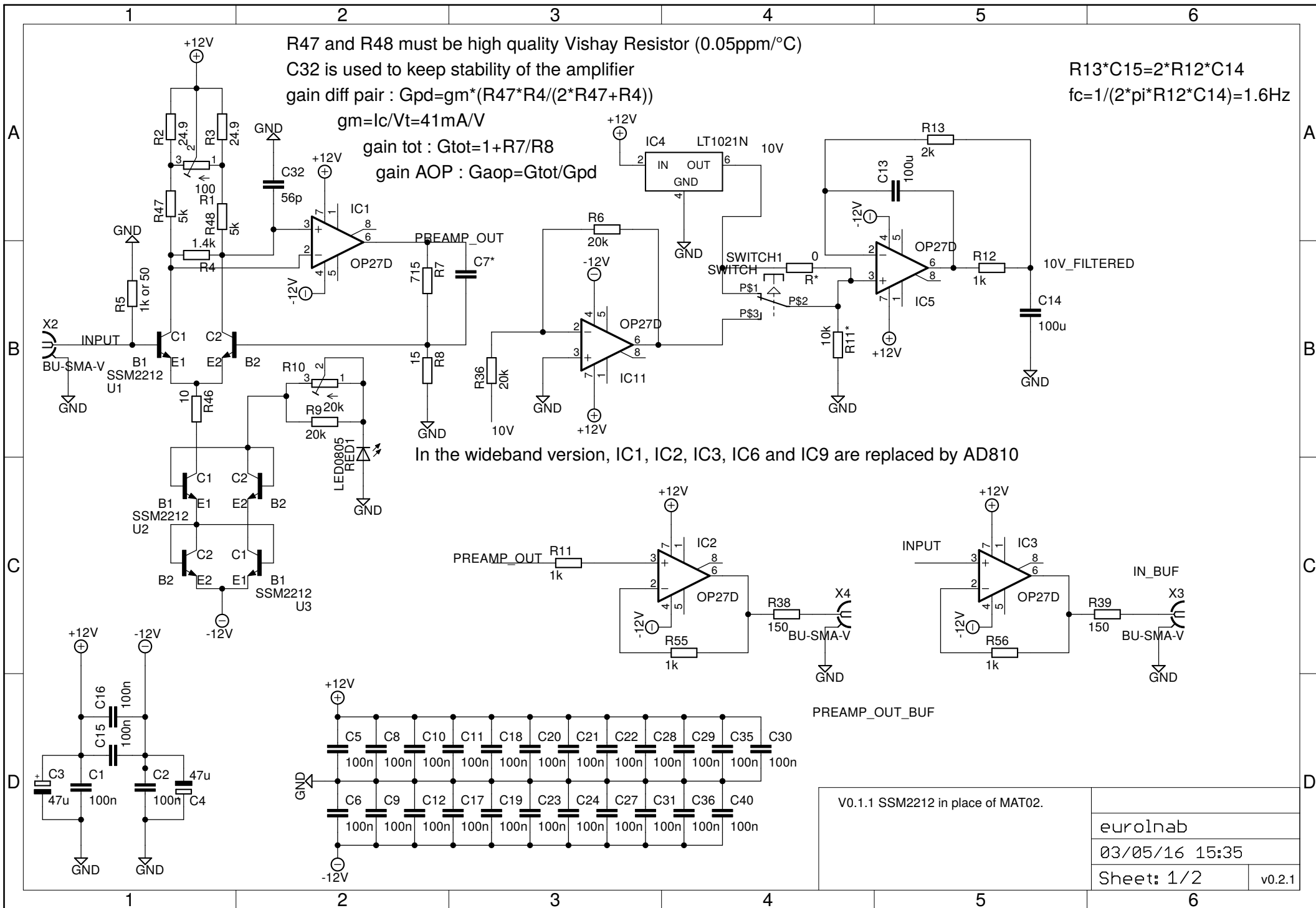
$gm = Ic / Vt = 41 \text{ mA/V}$

gain tot : $Gtot = 1 + R7 / R8$

gain AOP : $Gaop = Gtot / Gpd$

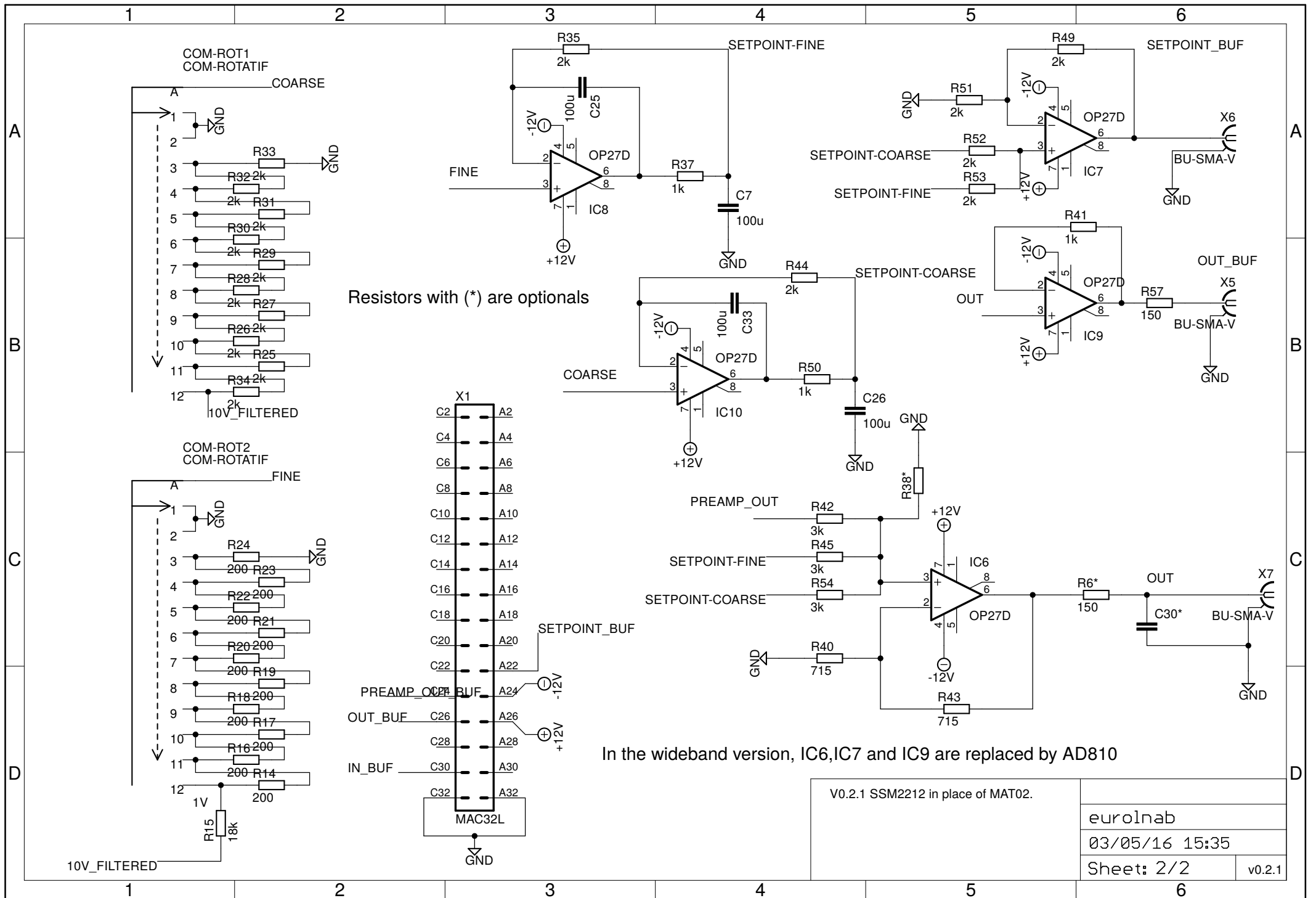
$R13 * C15 = 2 * R12 * C14$

$fc = 1 / (2 * pi * R12 * C14) = 1.6 \text{ Hz}$



In the wideband version, IC1, IC2, IC3, IC6 and IC9 are replaced by AD810

V0.1.1 SSM2212 in place of MAT02.	
eurolnab	
03/05/16 15:35	
Sheet: 1/2	v0.2.1



Resistors with (*) are optional

In the wideband version, IC6,IC7 and IC9 are replaced by AD810

V0.2.1 SSM2212 in place of MAT02.	
eurolnab	
03/05/16 15:35	
Sheet: 2/2	v0.2.1